

# Specifications

## M-40 Meter

Liquid Controls M and MA Series rotary motion positive displacement (PD) meters offer the ultimate in measurement accuracy for custody transfer of petroleum products, aviation fuels, LPG and a broad of industrial liquids.

### Superior performance features

**Low pressure drop** – will operate on gravity flow or pump pressure.

**Sustained accuracy** – no metal-to-metal contact inside the measuring chamber means minimal wear and deterioration in accuracy over time, fewer recalibrations and a longer service life. Meters conform to NIST and International Weight and Measures accuracy requirements.

**Wide viscosity range** – LCE meters can accurately meter products from less than 30 SSU (1 cP) to 1500000 SSU (325000 cP).

**Maximum adaptability** - choice of stock or custom elbows/fittings provides unequaled mounting flexibility to meet widely varying installation requirements.

### Industries served

LC series M and MA meters are well-suited for use in industries requiring precise flow measurement and reliable, extended service life:

- Refined petroleum products
- Aviation fuels
- LPG
- Agricultural chemicals
- Paints and coatings
- Foods and beverages
- Petrochemicals
- Pharmaceuticals
- Cosmetics
- Printing inks
- Textiles

### Accuracy/Performance

#### Repeatability

Mechanical registration: capable of 0.05% of reading over entire range

Electronic registration: capable of 0.03% of reading over entire range

#### Linearity

##### Over 5:1 range

Mech. registration: capable of  $\pm 0.125\%$  or better from max nom. flow rate

Elect. registration: capable of  $\pm 0.10\%$  or better from max. nom. flow rate

##### Over 10:1 range

Mech. registration: capable of  $\pm 0.22\%$  or better from max. nom. flow rate

Elect. registration: capable of  $\pm 0.10\%$  or better from max. nom. flow rate

##### Over 40:1 range

Mech. registration: capable of  $\pm 0.5\%$  or better from max. nom. flow rate

Elect. registration: capable of  $\pm 0.15\%$  or better from max. nom. flow rate

#### Temperature range

-40° F to 160° F (-40° C to 71° C)

### Construction

Meter housing and rotors  
Cast aluminum (other metallurgies, available including brass, cast-iron and stainless steel)

Internal components  
Aluminum, Ni-Resist, stainless steel

Seal material  
UL recognize component:  
Buna-N, Viton, Teflon

Bearings  
Carbon, Teflon, Ni-Resist

Архангельск (8182)63-90-72  
Астана (7172)727-132  
Астрахань (8512)99-46-04  
Барнаул (3852)73-04-60  
Белгород (4722)40-23-64  
Брянск (4832)59-03-52  
Владивосток (423)249-28-31  
Волгоград (844)278-03-48  
Вологда (8172)26-41-59  
Воронеж (473)204-51-73  
Екатеринбург (343)384-55-89  
Иваново (4932)77-34-06

Ижевск (3412)26-03-58  
Иркутск (395)279-98-46  
Казань (843)206-01-48  
Калининград (4012)72-03-81  
Калуга (4842)92-23-67  
Кемерово (3842)65-04-62  
Киров (8332)68-02-04  
Краснодар (861)203-40-90  
Красноярск (391)204-63-61  
Курск (4712)77-13-04  
Липецк (4742)52-20-81

Магнитогорск (3519)55-03-13  
Москва (495)268-04-70  
Мурманск (8152)59-64-93  
Набережные Челны (8552)20-53-41  
Нижний Новгород (831)429-08-12  
Новокузнецк (3843)20-46-81  
Новосибирск (383)227-86-73  
Омск (3812)21-46-40  
Орел (4862)44-53-42  
Оренбург (3532)37-68-04  
Пенза (8412)22-31-16

Пермь (342)205-81-47  
Ростов-на-Дону (863)308-18-15  
Рязань (4912)46-61-64  
Самара (846)206-03-16  
Санкт-Петербург (812)309-46-40  
Саратов (845)249-38-78  
Севастополь (8692)22-31-93  
Симферополь (3652)67-13-56  
Смоленск (4812)29-41-54  
Сочи (862)225-72-31  
Ставрополь (8652)20-65-13

Сургут (3462)77-98-35  
Тверь (4822)63-31-35  
Томск (3822)98-41-53  
Тула (4872)74-02-29  
Тюмень (3452)66-21-18  
Ульяновск (8422)24-23-59  
Уфа (347)229-48-12  
Хабаровск (4212)92-98-04  
Челябинск (351)202-03-61  
Череповец (8202)49-02-64  
Ярославль (4852)69-52-93

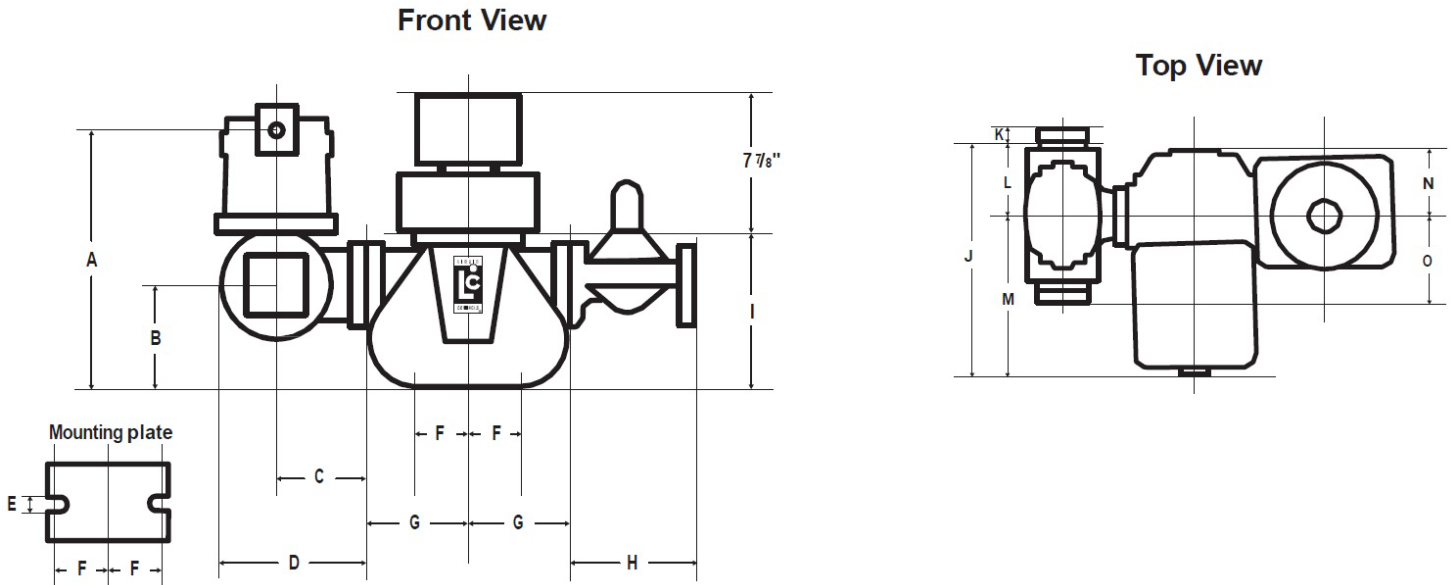
Киргизия (996)312-96-26-47

Россия (495)268-04-70

Казахстан (772)734-952-31

# Dimensions: flow meters with electronic registration

Note: Dimensions shown are not for construction use. Consult factory when certified engineering prints are required.



Model	Flange size	Max nom. Flow rate	Working pressure	Net weight	Dimensions						
						A	B	C	D	E	F
M-40	4"	1700l/min (449 GPM)	10,5 bar (150 PSI)	54,4 kg (120 lbs)	in	20.5	10.6	5.6	9.1	.87	4.8
					mm	521	270	143	230	22	122

Dimensions									
	G	H	I	J	K	L	M	N	O
in	7.9	n/a	13.8	19.4	1.4	7.1	12.3	6.6	7.7
mm	200	n/a	351	494	36	181	313	167	195

## Construction and application classes

LC series M and MA PD meters are suitable for metering a broad range of products as listed below. The appropriate meter class can be used to specify a desired meter by using the table on the next page of this publication.

Class	Description	Bearing Material
1	Refined petroleum products	Ni-Resist
2	Aviation and jet fuel	Ni-Resist
3	Variety of product includes: liquid sugars, sweeteners, syrups, vegetable oils	Ni-Resist
4	Treated waters and solvents where no red metals are allowed	Carbon
8	Acid pH liquids includes: nitric, phosphoric, glacial acetic acids, citric juices, vinegar	Carbon
14	Crude oil	Ni-Resist
16	General solvents	Carbon
30	Herbicides	Carbon

Архангельск (8182)63-90-72  
 Астана (7172)727-132  
 Астрахань (8512)99-46-04  
 Барнаул (3852)73-04-60  
 Белгород (4722)40-23-64  
 Брянск (4832)59-03-52  
 Владивосток (423)249-28-31  
 Волгоград (844)278-03-48  
 Вологда (8172)26-41-59  
 Воронеж (473)204-51-73  
 Екатеринбург (343)384-55-89  
 Иваново (4932)77-34-06

Ижевск (3412)26-03-58  
 Иркутск (395)279-98-46  
 Казань (843)206-01-48  
 Калининград (4012)72-03-81  
 Калуга (4842)92-23-67  
 Кемерово (3842)65-04-62  
 Киров (8332)68-02-04  
 Краснодар (861)203-40-90  
 Красноярск (391)204-63-61  
 Курск (4712)77-13-04  
 Липецк (4742)52-20-81

Магнитогорск (3519)55-03-13  
 Москва (495)268-04-70  
 Мурманск (8152)59-64-93  
 Набережные Челны (8552)20-53-41  
 Нижний Новгород (831)429-08-12  
 Новокузнецк (3843)20-46-81  
 Новосибирск (383)227-86-73  
 Омск (3812)21-46-40  
 Орел (4862)44-53-42  
 Оренбург (3532)37-68-04  
 Пенза (8412)22-31-16

Пермь (342)205-81-47  
 Ростов-на-Дону (863)308-18-15  
 Рязань (4912)46-61-64  
 Самара (846)206-03-16  
 Санкт-Петербург (812)309-46-40  
 Саратов (845)249-38-78  
 Севастополь (8692)22-31-93  
 Симферополь (3652)67-13-56  
 Смоленск (4812)29-41-54  
 Сочи (862)225-72-31  
 Ставрополь (8652)20-65-13

Сургут (3462)77-98-35  
 Тверь (4822)63-31-35  
 Томск (3822)98-41-53  
 Тула (4872)74-02-29  
 Тюмень (3452)66-21-18  
 Ульяновск (8422)24-23-59  
 Уфа (347)229-48-12  
 Хабаровск (4212)92-98-04  
 Челябинск (351)202-03-61  
 Череповец (8202)49-02-64  
 Ярославль (4852)69-52-93

Киргизия (996)312-96-26-47

Россия (495)268-04-70

Казахстан (772)734-952-31